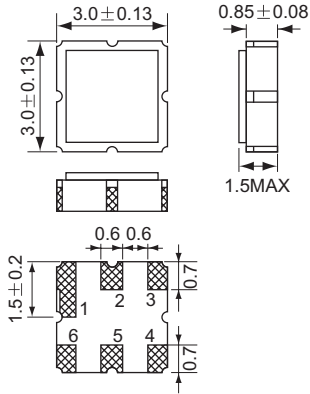


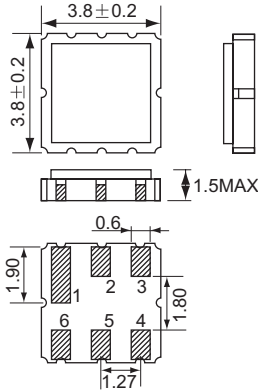
SAW Resonator & Filter

Drawing SMD packages

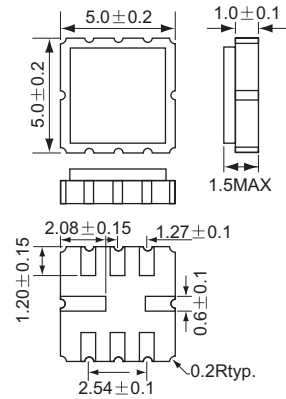
S22 (3.0x3.0 mm)



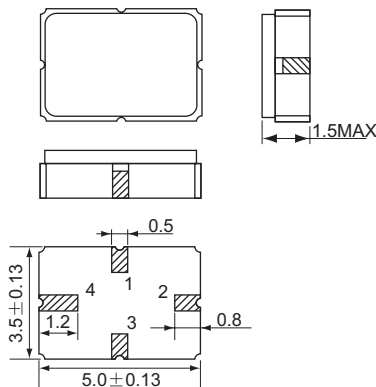
S31 (3.8x3.8 mm)



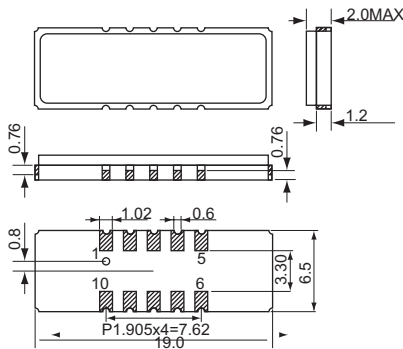
S51 (5.0 x 5.0 mm)



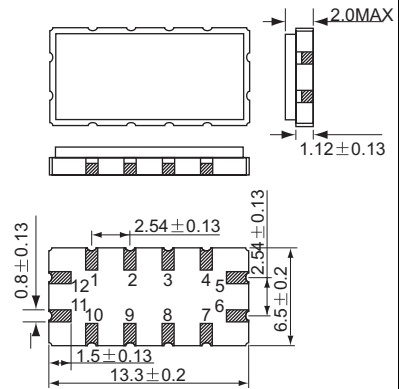
S53 (5.0 x 3.5 mm)



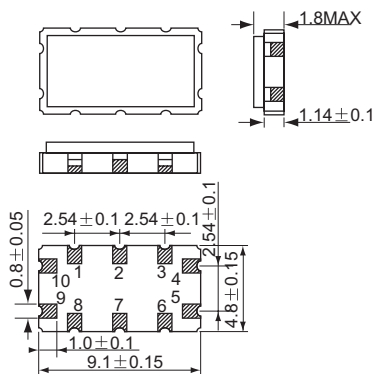
S61 (19.0 x 6.5 mm)



S62 (13.3 x 6.5 mm)



S63 (9.1 x 4.8 mm)



S71 (7.0 x 5.0 mm)

